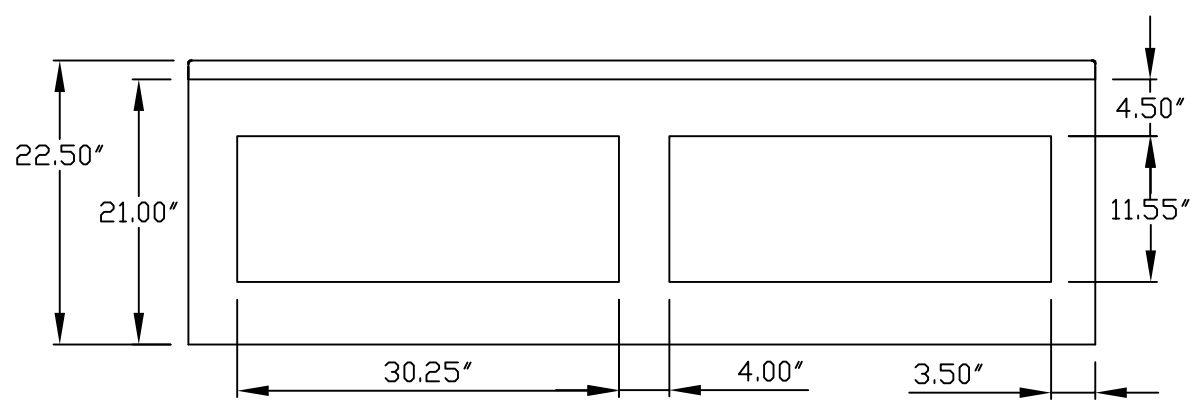
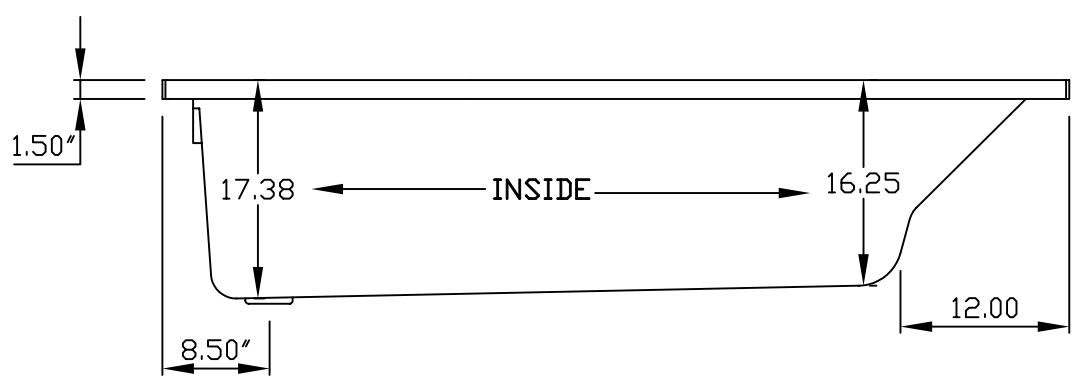
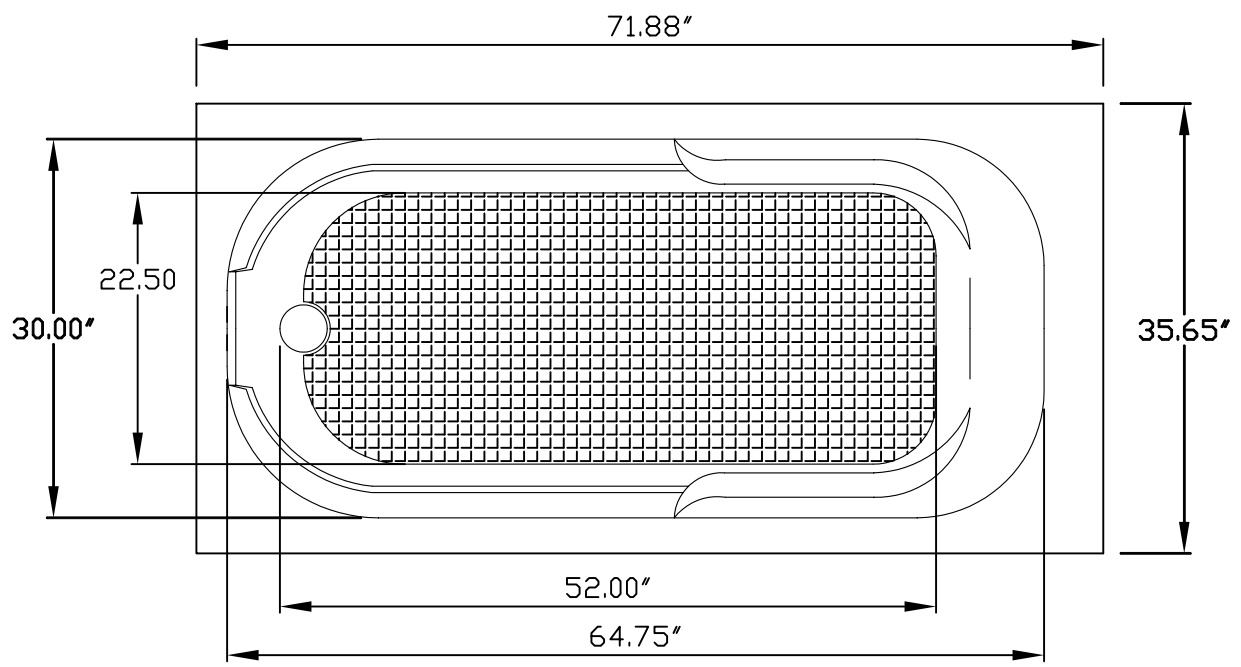


REVISIONS				
ZONE	REV	DESCRIPTION	DATE	APPROVED



# Quality Acrylic Baths

	SIZE A	FSCM NO.	DWG NO. QAB MODEL 3672 L	REV IR
	SCALE			SHEET 1 OF 1