

30 " x 60 " x 20 " skirted TF

REVISIONS

Left Hand

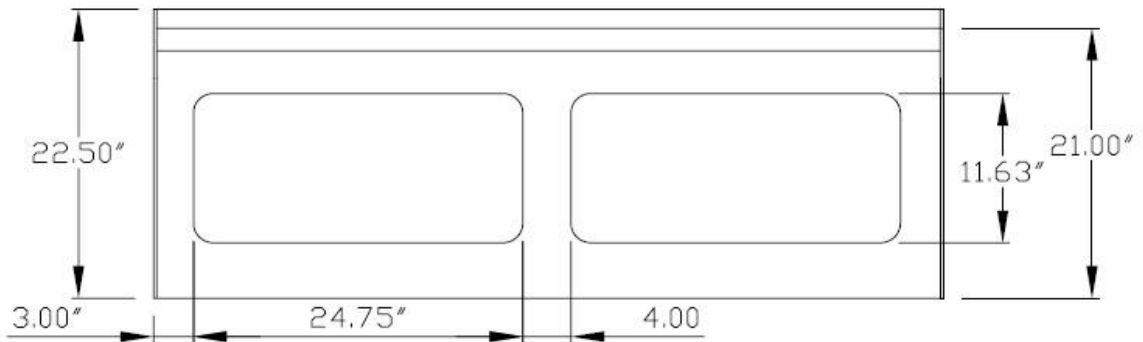
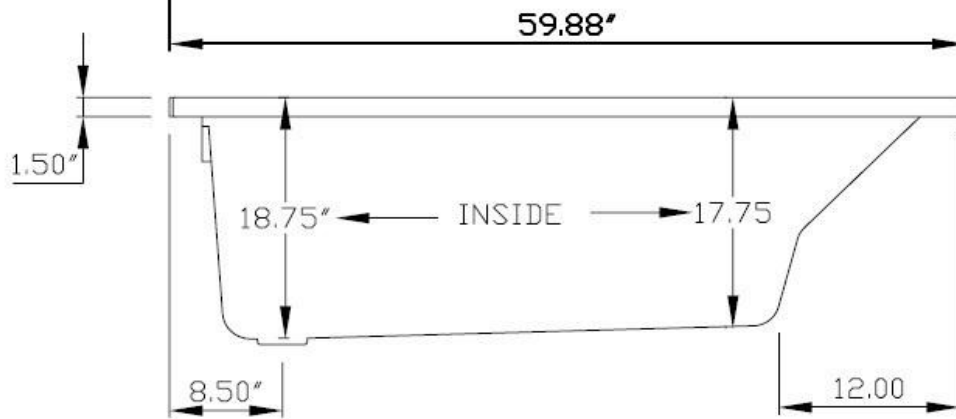
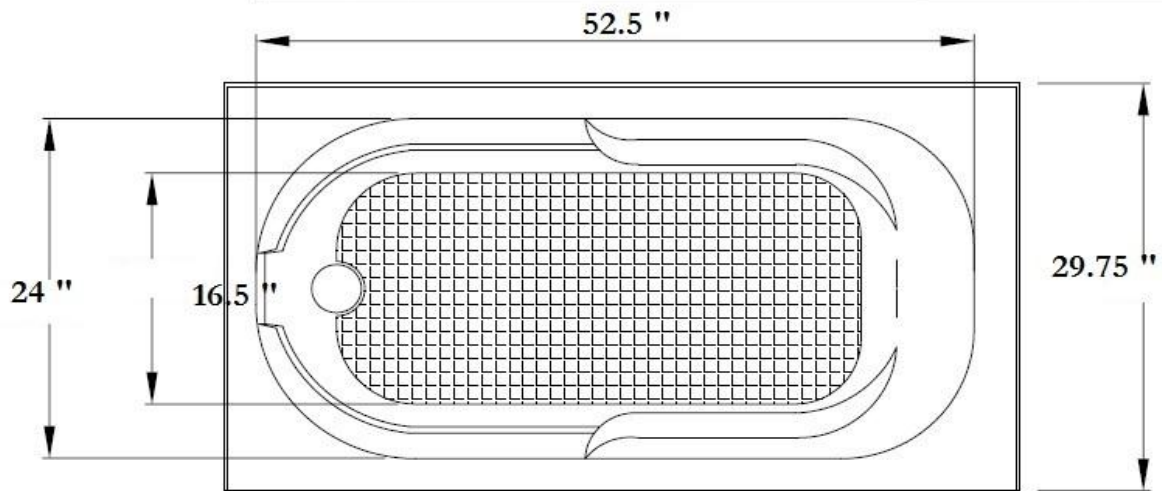
ZONE

REV

DESCRIPTION

DATE

APPROVED



Quality Acrylic Baths

SIZE
A

FSCM NO.

DWG NO.

QAB MODEL 30 - L

REV
IR

SCALE

SHEET 1 OF 1